



**LARGE BATWING REFLECTOR**  
ASSEMBLY INSTRUCTIONS & CONFIGURATIONS

## REGULAR ASSEMBLY

The large batwing reflector can be easily assembled by fixing the lamp holder bracket to the reflector board using 4 x M4 bolts and nuts.

Figure 1: Regular assembly of a large batwing reflector.

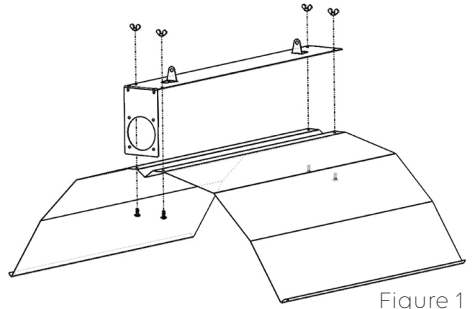


Figure 1

## COMBINATION ASSEMBLY

Two large batwing reflectors can be combined to create an even larger reflector. This is done in 2 stages.

The first stage is to secure the two reflector boards and lamp holder brackets to each other using 6 x M4 bolts and nuts.

Figure 2: Secure 2 x large batwing reflectors together using 6 x M4 bolts and nuts.

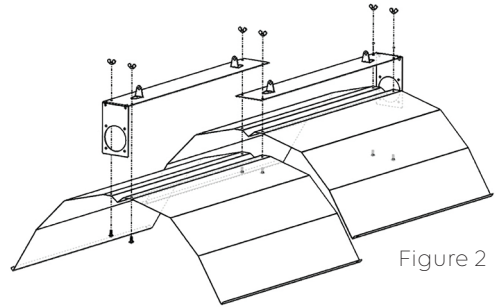


Figure 2

The final stage is to use 2 x M4 bolts and screws to connect the sides of the reflector boards together, as shown below. Ensure that both sides are connected properly.

Figure 3: Connect the sides of the reflector boards by aligning the holes correctly.

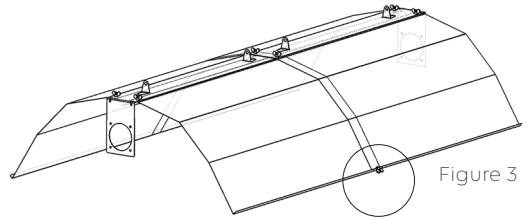


Figure 3

Figure 4: Use an M4 bolt and nut to connect the sides of the reflector board.

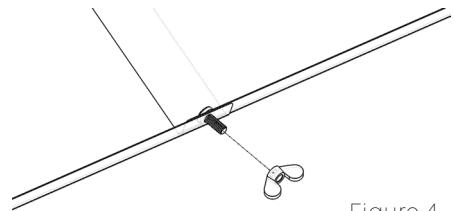


Figure 4